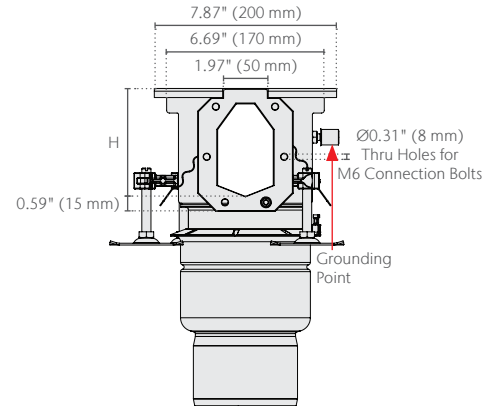
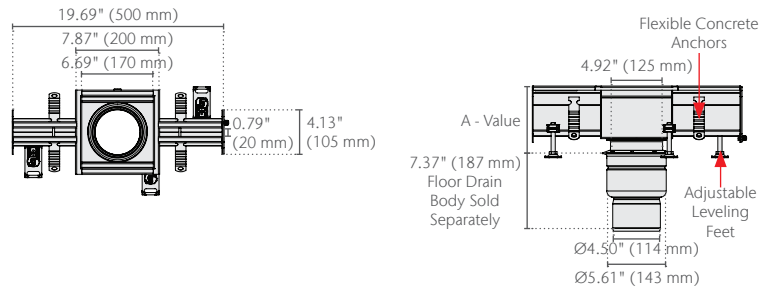


ACO Building Drainage | Stainless

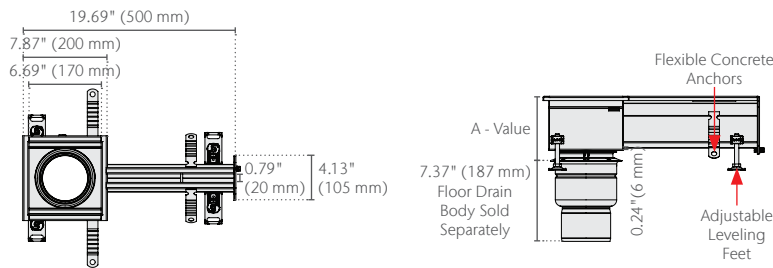
SlotDrain 20 - 8" Outlet Channels



Center Outlet Channels



End Outlet Channels



Parts	Invert Depths in (mm)	Material
	2.76 (70)	A = 3.31 - 4.37 (84 - 111)
	2.95 (75)	A = 3.50 - 4.57 (89 - 116)
	3.15 (80)	A = 3.70 - 4.76 (94 - 121)
A- Table	3.54 (90)	A = 4.09 - 5.16 (104 - 131)
	3.94 (100)	A = 4.49 - 5.55 (114 - 141)
	4.33 (110)	A = 4.88 - 5.94 (124 - 151)
	4.72 (120)	A = 5.28 - 6.34 (134 - 161)*

*Most Common
Using mechanical clamping flange minimum installation value increase by 0.31" (8 mm)

Parts	Part No.	Material	Height (H) in (mm)	Weight lbs
Center Outlet	415932	AISI 304	2.76 (70)	5.9
	415933	AISI 304	2.95 (75)	6.1
	415934	AISI 304	3.15 (80)	6.3
	415935	AISI 304	3.54 (90)	6.6
	415936	AISI 304	3.94 (100)	6.9
	415937	AISI 304	4.33 (110)	7.3
	415938	AISI 304	4.72 (120)	7.6
	415977	AISI 316L	2.76 (70)	5.9
	415978	AISI 316L	2.95 (75)	6.1
	415979	AISI 316L	3.15 (80)	6.3
415980	AISI 316L	3.54 (90)	6.6	
415981	AISI 316L	3.94 (100)	6.9	
415982	AISI 316L	4.33 (110)	7.3	
415983	AISI 316L	4.72 (120)	7.6	

Parts	Part No.	Material	Height (H) in (mm)	Weight lbs
End Outlet	415925	AISI 304	2.76 (70)	6.0
	415926	AISI 304	2.95 (75)	6.2
	415927	AISI 304	3.15 (80)	6.4
	415928	AISI 304	3.54 (90)	6.7
	415929	AISI 304	3.94 (100)	7.0
	415930	AISI 304	4.33 (110)	7.3
	415931	AISI 304	4.72 (120)	7.7
	415970	AISI 316L	2.76 (70)	6.0
	415971	AISI 316L	2.95 (75)	6.2
	415972	AISI 316L	3.15 (80)	6.4
415973	AISI 316L	3.54 (90)	6.7	
415974	AISI 316L	3.94 (100)	7.0	
415975	AISI 316L	4.33 (110)	7.3	
415976	AISI 316L	4.72 (120)	7.7	

Specification Summary

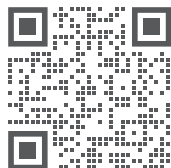
ACO SlotDrain 20 center and end outlets. Overall height varies, see tables. Used with ACO 8" floor drains. Made from 16ga (1.5 mm) AISI 304 or AISI 316L, pickle passivated finish. All channels provided with NBR seal and connection bolts on one side. Multiple grate options available.

ACO recommends checking local plumbing codes prior to installation.

ACO, Inc.

© February 2025 ACO, Inc.

All reasonable care has been taken in compiling the information in this document. All recommendations and suggestions on the use of ACO products are made without guarantee since the conditions of use are beyond the control of the company. It is the customer's responsibility to ensure that each product is fit for its intended purpose and that the actual conditions of use are suitable. ACO, Inc. reserves the right to change products and specifications without notice.



info@acousa.com
www.acoswm.com

